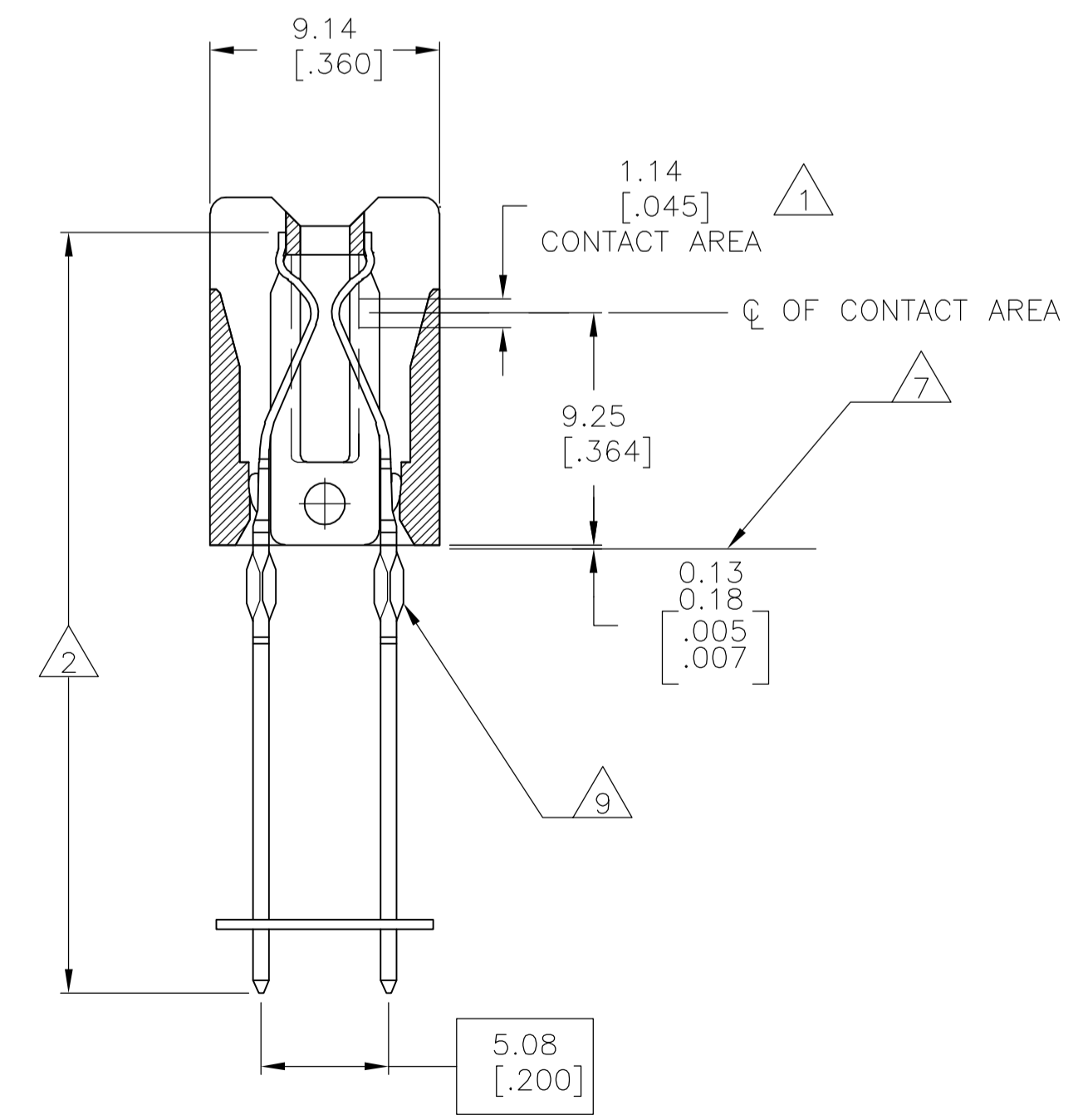
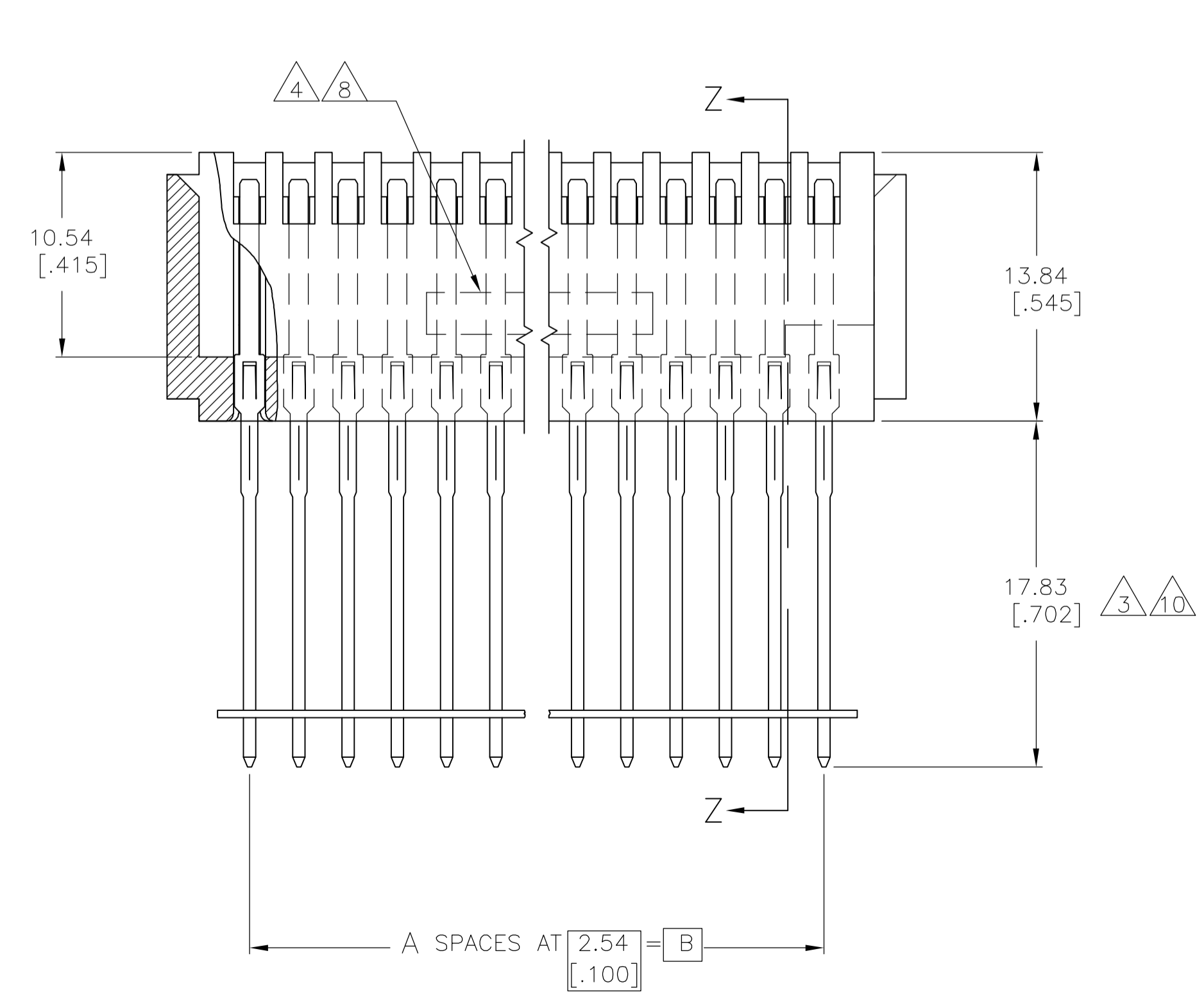
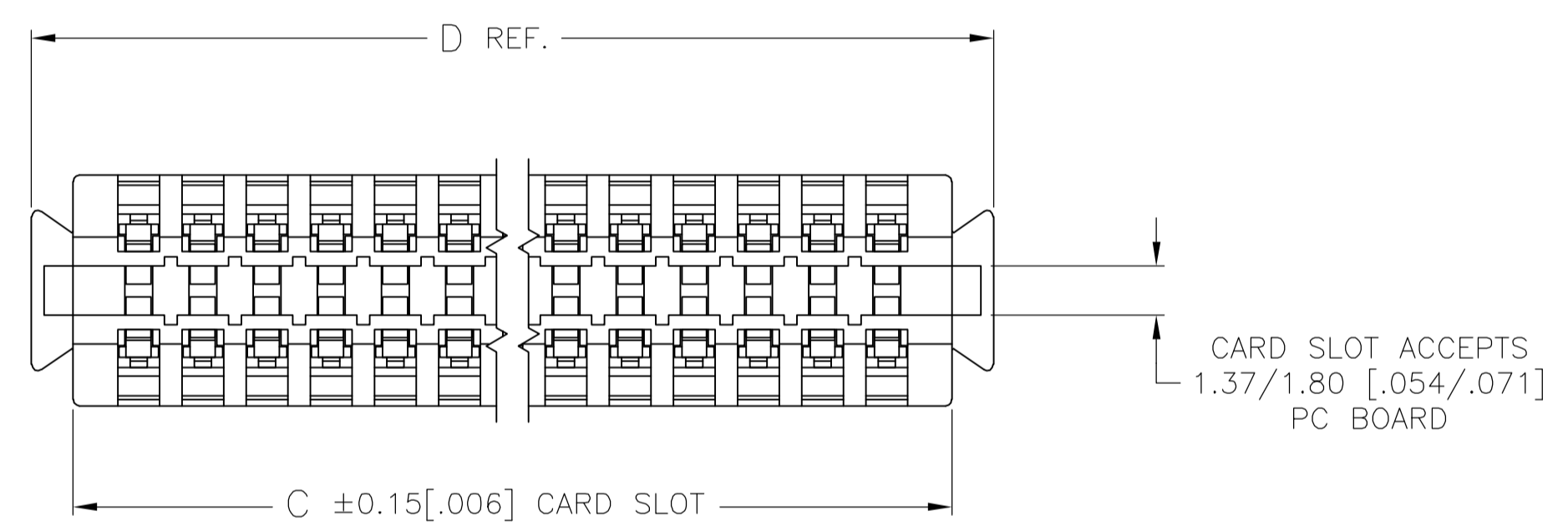


- 1 GOLD PLATE .00076 [.000030] MIN. THICK.
- 2 NICKEL PL. .00127[.000050] MIN. THK. PER QQ-N-290.
- 3 SOLDER PL. .00254[.000100] MIN. THK.
- 4 STAMPED P/N & DATE CODE.
- 5. OPTIONAL: KEYING PLUG FOR INTERCONTACT KEYING IS 118982-1.
- 6. OPTIONAL: CARD GUIDE (BASE NO 117169).
- 7 TOP SURFACE OF P.C. BOARD AFTER APPLICATION DUE TO MYLAR THICKNESS.
- 8 ALL PARTS ASSEMBLED IN MEXICO MUST BE STAMPED "ASSY IN MEXICO". THE WORD "MEXICO" CAN BE SUBSTITUTED ONLY WHERE PART SIZE PROHIBITS STAMPING "ASSY IN MEXICO", INK PER 115-9009, APPROX WHERE SHOWN, SIDE OPTIONAL.
- 9 ACTION PIN REQUIRES 2.13[.084] MIN. THK. PC BOARD.

REQ'D DRILL SIZE	HOLE DIA ±.03[.001]	PLATING THICKNESS		HOLE DIAMETER		COPPER HARDNESS (KNOOP)	PAD DIA MIN
		COPPER	TIN/LEAD	AFTER PLATING	AFTER REFLOW		
1.15mm	1.15 [.0453]	0.03-0.08 [.001-.003]	0.008 MIN [.0003] MIN	0.94-1.09 [.037-.043]	0.914-1.09 [.0036-.043]	150 MAX	1.57 [.062]
1.15mm	1.15 [.0453]	NOT PLATED THRU					1.65 [.065]

- 10 MATTE TIN PL. .00254[.000100] MIN. THK.

8	10	82.14 [3.234]	78.84 [3.104]	73.66 [2.900]	29	30	6-119163-6
		69.44 [2.734]	66.14 [2.604]	60.96 [2.400]	24	25	6-119163-1
OBSOLETE		158.34 [6.234]	155.04 [6.104]	149.86 [5.900]	59	60	4-119163-6
OBSOLETE		155.80 [6.134]	152.50 [6.004]	147.32 [5.800]	58	59	4-119163-5
OBSOLETE		153.26 [6.034]	149.96 [5.904]	144.78 [5.700]	57	58	4-119163-4
OBSOLETE		150.72 [5.934]	147.42 [5.804]	142.24 [5.600]	56	57	4-119163-3
OBSOLETE		148.18 [5.834]	144.88 [5.704]	142.24 [5.500]	55	56	4-119163-2
OBSOLETE		145.64 [5.734]	142.34 [5.604]	137.16 [5.400]	54	55	4-119163-1
OBSOLETE		143.10 [5.634]	139.80 [5.504]	134.62 [5.300]	53	54	4-119163-0
OBSOLETE		140.56 [5.534]	137.26 [5.404]	132.08 [5.200]	52	53	3-119163-9
OBSOLETE		138.02 [5.434]	134.72 [5.304]	129.54 [5.100]	51	52	3-119163-8
OBSOLETE		135.48 [5.334]	132.18 [5.204]	127.00 [5.000]	50	51	3-119163-7
OBSOLETE		132.94 [5.234]	129.64 [5.104]	124.46 [4.900]	49	50	3-119163-6
OBSOLETE		130.40 [5.134]	127.10 [5.004]	121.92 [4.800]	48	49	3-119163-5
OBSOLETE		127.86 [5.034]	124.56 [4.904]	119.38 [4.700]	47	48	3-119163-4
OBSOLETE		125.32 [4.934]	122.02 [4.804]	116.84 [4.600]	46	47	3-119163-3
OBSOLETE		122.78 [4.834]	119.48 [4.704]	114.30 [4.500]	45	46	3-119163-2
OBSOLETE		120.24 [4.734]	116.94 [4.604]	111.76 [4.400]	44	45	3-119163-1
OBSOLETE		117.70 [4.634]	114.40 [4.504]	109.22 [4.300]	43	44	3-119163-0
OBSOLETE		115.16 [4.534]	111.86 [4.404]	106.68 [4.200]	42	43	2-119163-9
OBSOLETE		112.62 [4.434]	109.32 [4.304]	104.14 [4.100]	41	42	2-119163-8
OBSOLETE		110.08 [4.334]	106.78 [4.204]	101.60 [4.000]	40	41	2-119163-7
OBSOLETE		107.54 [4.234]	104.24 [4.104]	99.06 [3.900]	39	40	2-119163-6
OBSOLETE		105.00 [4.134]	101.70 [4.004]	96.52 [3.800]	38	39	2-119163-5
OBSOLETE		102.46 [4.034]	99.16 [3.904]	93.98 [3.700]	37	38	2-119163-4
OBSOLETE		99.92 [3.934]	96.62 [3.804]	91.44 [3.600]	36	37	2-119163-3
OBSOLETE		97.38 [3.834]	94.08 [3.704]	88.90 [3.500]	35	36	2-119163-2
OBSOLETE		94.84 [3.734]	91.54 [3.604]	86.36 [3.400]	34	35	2-119163-1
OBSOLETE		92.30 [3.634]	89.00 [3.504]	83.82 [3.300]	33	34	2-119163-0
OBSOLETE		89.76 [3.534]	86.46 [3.404]	81.28 [3.200]	32	33	1-119163-9
OBSOLETE		87.22 [3.434]	83.92 [3.304]	78.74 [3.100]	31	32	1-119163-8
OBSOLETE		84.68 [3.334]	81.38 [3.204]	76.20 [3.000]	30	31	1-119163-7
OBSOLETE		82.14 [3.234]	78.84 [3.104]	73.66 [2.900]	29	30	1-119163-6
OBSOLETE		79.60 [3.134]	76.30 [3.004]	71.12 [2.800]	28	29	1-119163-5
OBSOLETE		77.06 [3.034]	73.76 [2.904]	68.58 [2.700]	27	28	1-119163-4
OBSOLETE		74.52 [2.934]	71.22 [2.804]	66.04 [2.600]	26	27	1-119163-3
OBSOLETE		71.98 [2.834]	68.68 [2.704]	63.50 [2.500]	25	26	1-119163-2
OBSOLETE		69.44 [2.734]	66.14 [2.604]	60.96 [2.400]	24	25	1-119163-1
OBSOLETE		66.90 [2.634]	63.60 [2.504]	58.42 [2.300]	23	24	1-119163-0
OBSOLETE		64.36 [2.534]	61.06 [2.404]	55.88 [2.200]	22	23	119163-9
OBSOLETE		61.82 [2.434]	58.52 [2.304]	53.34 [2.100]	21	22	119163-8
OBSOLETE		59.28 [2.334]	55.98 [2.204]	50.80 [2.000]	20	21	119163-7
OBSOLETE		56.74 [2.234]	53.44 [2.104]	48.26 [1.900]	19	20	119163-6
OBSOLETE		54.20 [2.134]	50.90 [2.004]	45.72 [1.800]	18	19	119163-5
OBSOLETE		51.66 [2.034]	48.36 [1.904]	43.18 [1.700]	17	18	119163-4
OBSOLETE		49.12 [1.934]	45.82 [1.804]	40.64 [1.600]	16	17	119163-3
OBSOLETE		46.58 [1.834]	43.28 [1.704]	38.10 [1.500]	15	16	119163-2
OBSOLETE		44.04 [1.734]	40.74 [1.604]	35.56 [1.400]	14	15	119163-1



SECTION Z-Z

THIS DRAWING IS A CONTROLLED DOCUMENT.

DIMENSIONS: mm [INCHES]	TOLERANCES UNLESS OTHERWISE SPECIFIED:	DIN H. BAKERMANS 11FEB93	tyco Electronics	Tyco Electronics Corporation Harrisburg, Pa 17105-3608
0 PLC ± -	1 PLC ± -	CHK H. ROSE 07JUL94	APVD M. THUMMA 07JUL94	NAME
2 PLC ± -	3 PLC ± ±0.25[.010]	APPLICATION SPEC		
4 PLC ± -	ANGLES ± -	114-26002	SIZE A1	DATE CODE 00779
MATERIAL: HOUSING: VALOX 420 SEC-BLACK CONTACTS: PHOSPHOR BRONZE STRIP: MYLAR, CLEAR.	FINISH	WEIGHT	SCALE 4:1	SHEET 1 OF 1
CUSTOMER DRAWING		REV 1	REV S	